

Streetlight Power Tap Adapter

The Series 283A Power Tap Adapter works with any luminaire that utilizes a photocontrol and locking type receptacle. The Series 283 installs between the photocontrol or shorting cap and the receptacle providing constant AC power.

Feature/Benefits

- Constant AC power
- Eliminates special wiring
- No electrician required - Simple twistlock installation
- Does not interfere with normal Photocontrol operation
- 7-Pin allows pass thru communication
- Input voltage is same as input voltage

Specifications

Voltage/Current:	Receptacle input voltage equals cable output voltage
Current:	10 Amps AC continuous
Housing:	UV stabilized impact resistant polypropylene
Cable Type:	2 SEOOW Conductor 16 AWG
Base:	High temperature ABS
Blades:	Solid brass, three prong, locking type
Gasket:	Cross linked polyethylene
Packaging:	Individual units are sealed in water resistant plastic

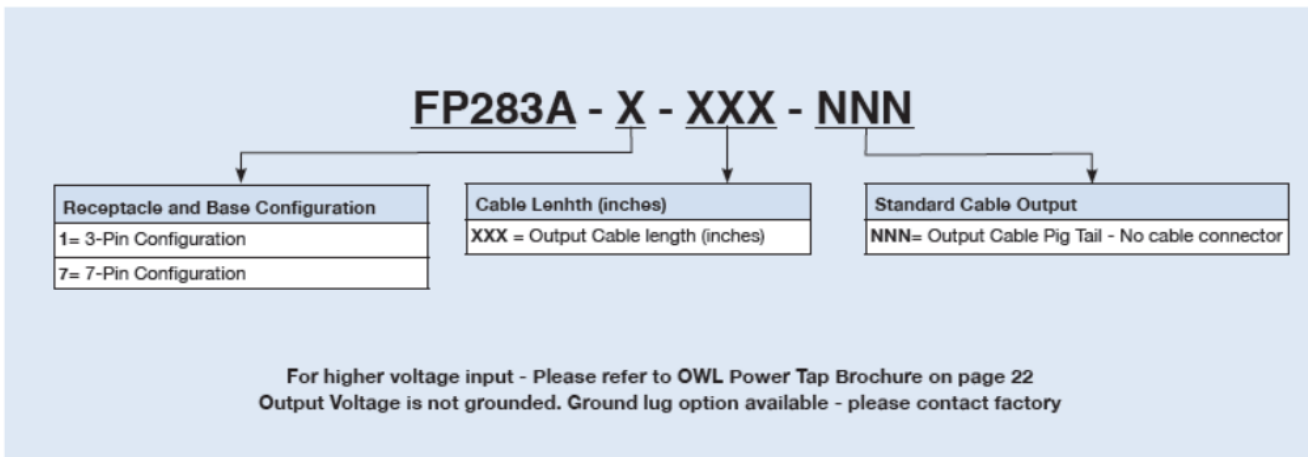


FP283 with 3-Pin configuration



FP283 with 7-pin configuration

Ordering Information



The information in this document is provided for informational use only and is subject to change without notice.