

REPLACEMENT OF MECHANICAL PHOTOCONTROLS

“Competitively Priced Twist-lock Photocontrols”

DESCRIPTION

ST7700 Series photocontrols are constructed with cost effective materials and are designed specifically to replace mechanical photocontrols. The **ST7700 Series** can be expected to have better On to Off ratios, a higher level of reliability, and longer life than mechanical designs. **ST7700 Series** photocontrols are not recommended for present users of Sun-Tech **S Series** or **P Series** designs.

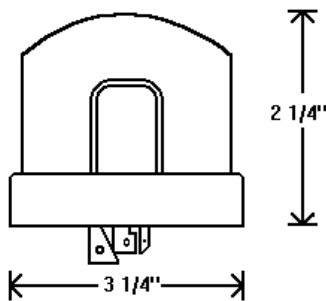
FEATURES

- Meets or exceeds ANSI C136.10.
- Heavy Duty Relay.
- Average 3:1 On to Off ratio.
- Non-chatter load break.

BENEFITS

- Industry Standard Operating Levels.
- Extended relay life from non-chatter load break.
- Extended photocell life from low voltage DC.
- Reduced maintenance costs.

MECHANICAL SPECIFICATIONS



Housing:	UV stabilized, impact resistant polypropylene.
Base:	High temperature ABS.
Contact Blades:	Solid brass, three prong, locking type.
Gasket:	Cross linked polyethylene.
Packaging:	Individual units are sealed in water resistant plastic.
Weight:	3.0 oz. each, 20 lbs. per 100 unit carton.
Size:	16" x 16" x 12" per 100 unit carton.

Warranty: 4 Year 1 for 1 replacement warranty.

ST7700-Series

REPLACEMENT OF MECHANICAL PHOTOCONTROLS

OPERATING SPECIFICATIONS

Operating Voltage:

Model	Voltage	Color
ST7760	105 - 130	Gray
ST7790B	105 - 305	Blue
ST7772	195 - 305	Maroon
ST7794	420 - 530	Yellow

Load Rating:

1000 Watt tungsten, 1800 VA

Life at rated load:

5,000 Operations (13.7 Years)

Power Consumption:

1.0 watts average @ 120 volts

1.6 watts average @ 208 volts

1.9 watts average @ 240 volts

2.1 watts average @ 277 volts

Standard Surge Protections:

- 160 Joule MOV.

Operating Light Levels:

+/- 0.25 fc. from specified turn-on level.

3:1 Average turn-on to turn-off ratio.

Photosensor:

- Conformally coated cadmium sulfide.
- Photo transistor.

Dielectric Strength:

5,000 Volts between any current carrying part.

Ambient Temperature Range:

-40°C to +70°C (-40°F to + 158°F).

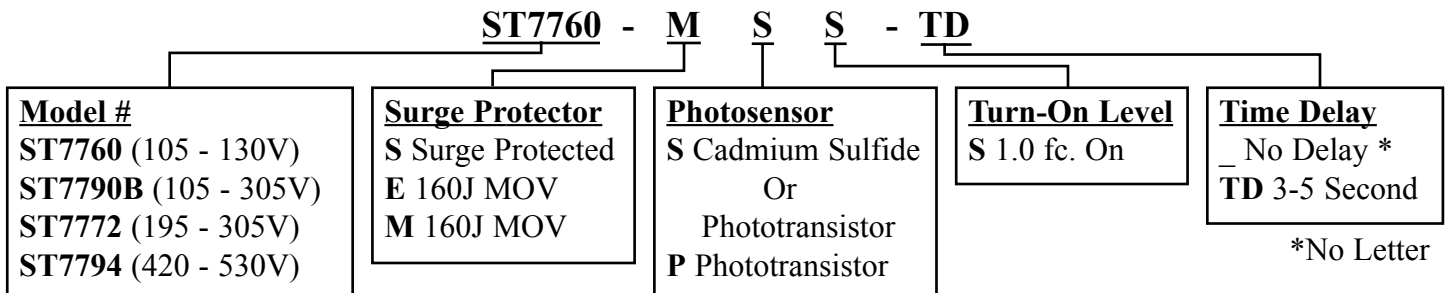
Moisture Resistance:

100% RH.

CROSS REFERENCE

Sun - Tech	Fisher Pierce
ST7760	7760
ST7760-EPS	7760-EPS
ST7760-MSS-TD	7760-MSS-TD
ST7790B	7790B
ST7790B-EPS	7790B-EPS
ST7772-SSS	7772-SSS
ST7794-EPS	7794-EPS

ORDERING INFORMATION



Sunrise Technologies • 54 Commercial St. • Raynham, MA 02767

Phone: (508) 821-1597 • Fax: (508) 822-0593 • E-mail: info@sun-tech.biz • www.sun-tech.biz