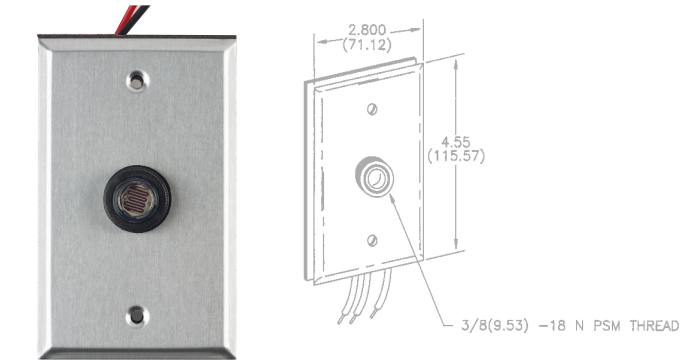
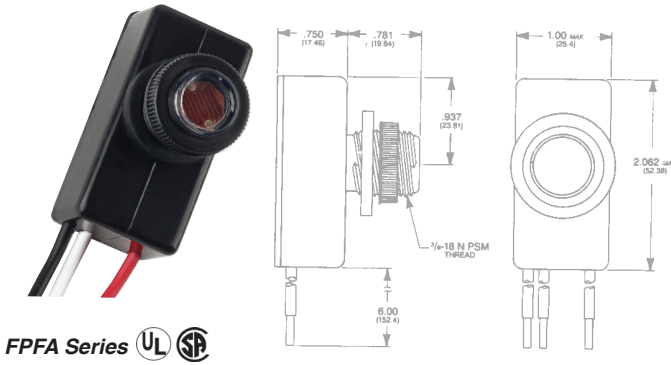


FPFA Series



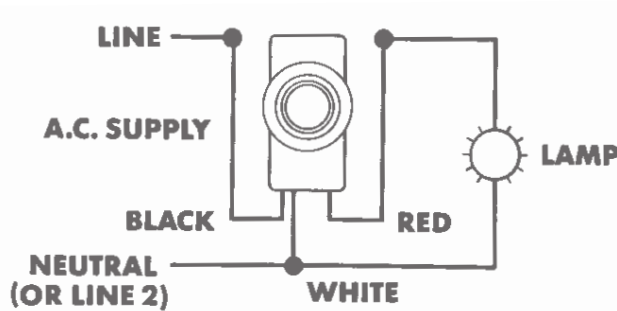
Flush-Mount Controls

The FA Series wire-in flush-mount photocontrols provide superior performance for internal mounting requirements. All Series FA controls utilize a rugged, SPST bimetallic switch. Durable, polycarbonate housing with a clear UV-stabilized window ultrasonically welded in place to prevent moisture ingress.

Application

The FA Series are compact, flush-mounted, high temperature resistant controls designed for industrial, commercial, and decorative lighting fixtures. The versatility and reliability of these controls allow them to be used as replacement units in a wide range of outdoor lighting fixtures.

FA Series Flush-Mount Wiring Diagram



Ordering Information

Model	Line Voltage	Load Rating	
		Tungsten	HID Ballast
FPFA-105	120	2000W	1000VA
FPFA-1068	208-277	2000W	1000VA
*B124	105-305	1000W	1800VA

*Not UL/CSA certified see website for specs.

Wall Plate

The wall plate package is constructed of a photocontrol mounted to a painted gray aluminum wall plate which will fit standard outlet boxes. Complete with gasket and mounting screws. Dimensions: Wall plate: 4.55"H; 2.80"W; Control: 2.062"L; 1.00"W; 1.53"D

Application

The FA Series wall plate/control fits a standard single-gang outlet box and is ideal for entrance, porch and open public areas where unobtrusive flush-mounting is required (pools, parking lots, marinas, etc).

Specifications

Photocell:	Cadmium sulfide (CdS)
Switch Type:	SPST-NC (single-pole, single-throw, normally closed) bimetallic switch
Housing:	UV-resistant polycarbonate (Black)
Window:	Clear, UV-stabilized
Nipple:	3/8" - 18 thread; 3/4" long; fits 3/8" knockout; 11/16" opening
Leads:	18" long, color coded; 105°C wire, 1/2" stripped
Turn-On:	1 to 4 footcandles (fc)
Turn-Off:	3 to 12 footcandles (fc)
Time Delay:	30 seconds, minimum
Rated Life:	5,000 operations minimum at rated load
Temperature Range:	- 40° to +60°C - 40° to +140°F
Dimensions:	2.062"L; 1.00"W; 1.53"D

Ordering Information

Model	Line Voltage	Load Rating	
		Tungsten	HID Ballast
FPFA105W	120	2000W	1000VA
FPFA1068W	208-277	2000W	1000VA