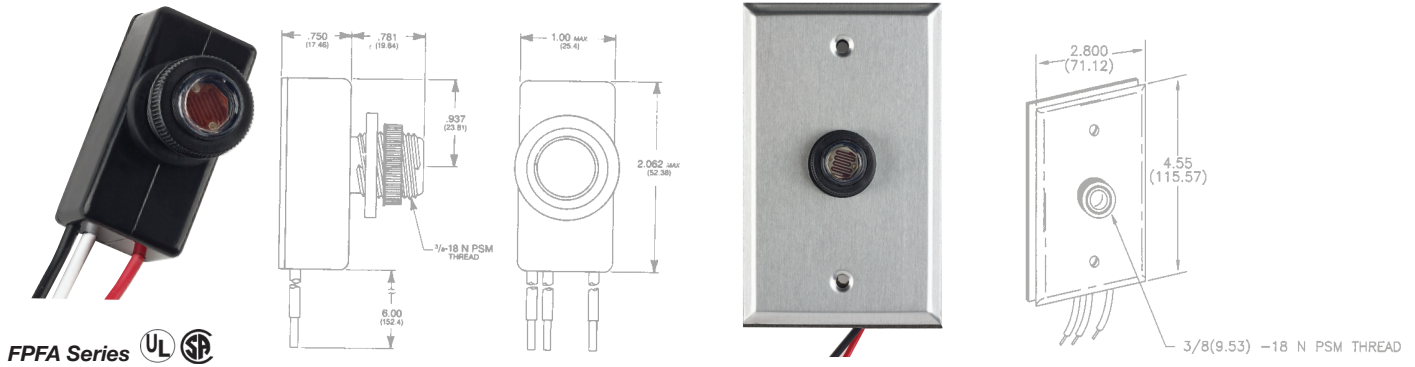


# FPFA Series



FPFA Series  

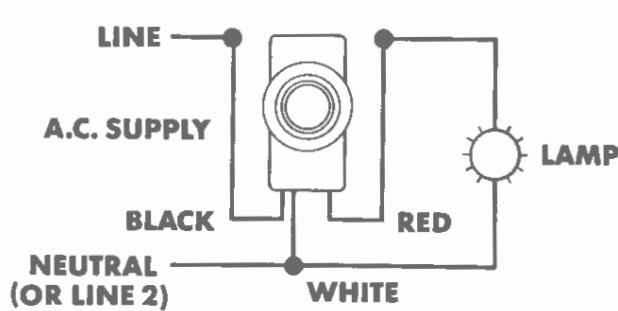
## Flush-Mount Controls

The FA Series wire-in flush-mount photocontrols provide superior performance for internal mounting requirements. All Series FA controls utilize a rugged, SPST bimetallic switch. Durable, polycarbonate housing with a clear UV-stabilized window ultrasonically welded in place to prevent moisture ingress.

### Application

The FA Series are compact, flush-mounted, high temperature resistant controls designed for industrial, commercial, and decorative lighting fixtures. The versatility and reliability of these controls allow them to be used as replacement units in a wide range of outdoor lighting fixtures.

### FA Series Flush-Mount Wiring Diagram



### Ordering Information

Model	Line Voltage	Load Rating	
		Tungsten	HID Ballast
FPFA-105	120	2000W	1000VA
FPFA-1068	208-277	2000W	1000VA
*B124	105-305	1000W	1800VA

\*Not UL/CSA certified see website for specs.

## Wall Plate

The wall plate package is constructed of a photocontrol mounted to a painted gray aluminum wall plate which will fit standard outlet boxes. Complete with gasket and mounting screws.

### Dimensions:

Wall plate: 4.55"H; 2.80"W  
Control: 2.062"L; 1.00"W; 1.53"D

### Application

The FA Series wall plate/control fits a standard single-gang outlet box and is ideal for entrance, porch and open public areas where unobtrusive flush-mounting is required (pools, parking lots, marinas, etc).

### Specifications

<b>Photocell:</b>	Cadmium sulfide (CdS)
<b>Switch Type:</b>	SPST-NC (single-pole, single-throw, normally closed) bimetallic switch
<b>Housing:</b>	UV-resistant polycarbonate (Black)
<b>Window:</b>	Clear, UV-stabilized
<b>Nipple:</b>	3/8" - 18 thread; 3/4" long; fits 3/8" knockout; 11/16" opening
<b>Leads:</b>	18" long, color coded; 105°C wire, 1/2" stripped, 18 AWG
<b>Turn-On:</b>	1 to 4 footcandles (fc)
<b>Turn-Off:</b>	3 to 12 footcandles (fc)
<b>Time Delay:</b>	30 seconds, minimum
<b>Rated Life:</b>	5,000 operations minimum at rated load
<b>Temperature Range:</b>	- 40° to +60°C   - 40° to +140°F
<b>Dimensions:</b>	2.062"L; 1.00"W; 1.53"D

### Ordering Information

Model	Line Voltage	Load Rating	
		Tungsten	HID Ballast
FPFA105W	120	2000W	1000VA
FPFA1068W	208-277	2000W	1000VA