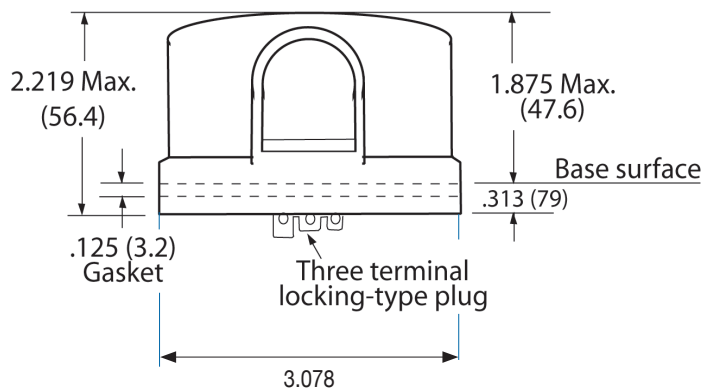


FP Series Thermal Controls



FP Series Thermal Control

The FP Series thermal, delayed turn on/turn off response locking-type, photoelectric controls are designed to meet commercial and industrial requirements. A wide, cross-linked polyethylene gasket assures moistureproof sealing with the luminaire socket.

Application

The On at Dusk and Off at dawn, delayed-response FP Series controls are designed for industrial and commercial HID luminaires equipped with locking-type receptacles. They adhere to UL and ANSI standards. (i.e. color coding, UL approval, etc.).



Specifications

Photocell:	Conformally coated cadmium sulfide photocell
Switch Type:	SPST-NC (single-pole, single-throw, normally closed) bimetallic switch
Housing:	UV-resistant, high-impact
Base:	High temp ABS (3" dia.)
Turn-On:	1 footcandle (fc) nominal
Turn-On/Off Ratio:	1:3
Time Delay:	30 seconds, minimum
Rated Life:	5,000 operations minimum at rated load
Temperature Range:	- 40° to + 70°C - 40° to + 158°F
Dimensions:	3.078" Dia.; 2.219"H

Ordering Information

Model	Line Voltage	160j MOV	Standard Photocell	Tungsten Load Rating	HID Load Rating
FP120	105-130V	X	X	2000W	1800VA
FP240	208-277V	X	X	2000W	1800VA
FP208-277	208-277V	X	X	2000W	1800VA