



Series FP63300



Model FPN4AFA
4-Jaw Meter Socket

Outdoor Socket-Mounted Photoelectric Controls

Reliable controls with high switching capacity and built-in surge protection specifically designed to fit standard 4-jaw meter sockets. These spec-grade units include a deluxe surge protection as well as a 4 second time delay.

Models include a built-in 30A fuse for protection in high isokeuronic areas.

Model FP63364DE2 operates at 240Vac and has a double-pole, single-throw switching configuration for breaking both hot wires of a 208-240 system.

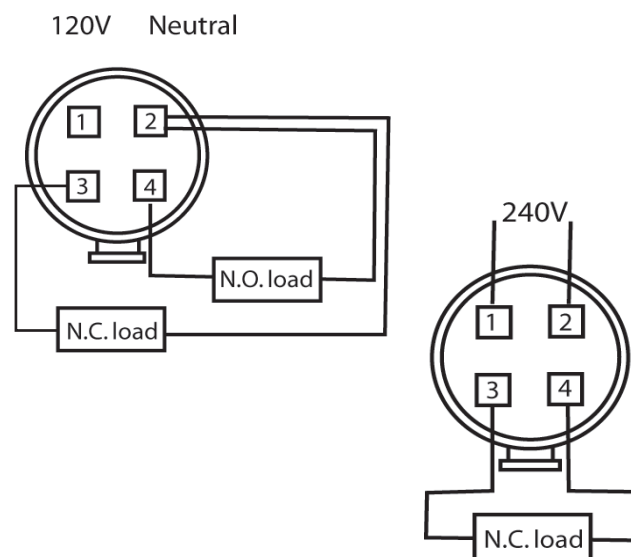
Application

Ideal for multiple lighting applications such as parking lots, parks, marinas, malls, institutional buildings, industrial parks, etc. Model FP63305DE2 units which are FAA approved for hi-level turn-on are frequently used to control building and tower obstruction warning lights near airports (15 mile radius).

Specifications

Photocell:	Cadmium sulfide (CdS)
Housing:	Polycarbonate
Base:	4-jaw black phenolic
Surge Arrester:	Incorporates a 190J MOV + 380J MOV + Zener
Turn-On:	Factory set per model number
Turn-On/Turn-Off Ratio:	1:1.5 nominal
Time Delay:	4 seconds nominal
Rated Life:	5000 On-Off operations
Temperature Range:	- 40° to + 70°C - 40° to +158°F
Line Frequency:	50/60 Hz
Switching Capacity:	30A per pole 3000W tungsten 3000VA HID ballast
Load Fusing:	30A cartridge

Wiring Diagrams



Ordering Information

Model Numbers With 5-amp. Line Fuse	Supply Voltage (50/60Hz)	Load Rating (watts)	Load Contactor	Turn-on Foot Candles (factory setting)	Turn-off Foot Candles (maximum foot candle)	Inter-changeable with Model Number
FP63300DE2	105-130	3000	SPDT DB	1.0 ± .25	3.0	63300C 63300D 63320 63300DA2 63300DE2 N6330E N6330A
*FP63305DE2	105-130	3000	SPSTNC DB	35 ± 5.0 * FAA approved for hi-level turn-on: 35± 5fc.	65	63305 63305C 63305D 63305DA2 N6335A
FP63303DE2	105-130	3000	SPST DB	1.0 ± .25	3.0	63303DA2 63303DE2
FP63364DE2	210-250	3000	DPST	1.0 ± .25	3.0	63304C 63364C 63364D 63364DA2 N6364A 63364DE2

The information in this document is provided for informational use only and is subject to change without notice.

© 2020 by Sunrise Technologies, Inc. All rights reserved.