



Tap into your streetlights to power a variety of devices such as cameras, cell modems, sensors, etc. With the OWL Series you can step down your voltage to 120 VAC or convert AC to DC to power virtually any ancillary device

Features

- Eliminates luminaire wiring
- Simple plug-in installation
- Both 3-pin and 7-pin available
- Pass-through photocontrol operations
- Input voltage: 120 / 208 / 240 / 277 / 480 Vac
- Output voltage: 12 / 24 / 48 Vdc or 120 Vac

Specifications

IEEE Standards: Conforms to ANSI C136.10 for Street and Area Lighting

Housing: UV stabilized impact resistant polypropylene, color gray

Temperature: -40° to +70° C, -40° F to +158° F

AC Power Cable: SEOOW 16/2 AWG

DC Power Cable: Cat5e +Vdc 4&5, -Vdc 7&8

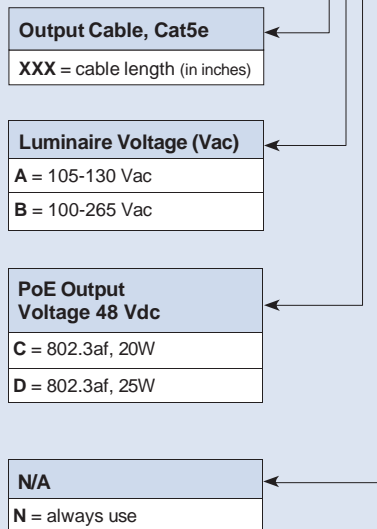
Power Devices from Street Light

- Cameras
- Wireless access points / gateways
- Air quality sensors, wind, temp
- Humidity, rain, snow detection
- Gunshot detection
- Traffic counting
- People counting
- Digital Signs
- Smart Parking
- Vehicle charge stations

PoE

Power over Ethernet

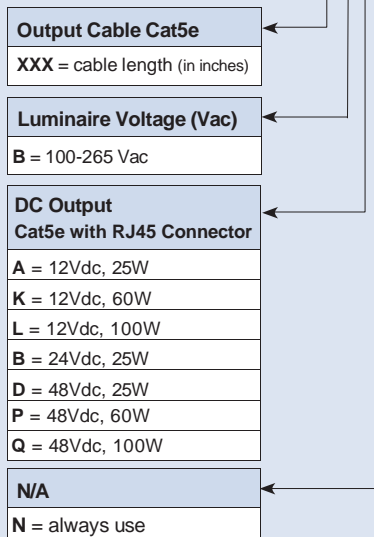
FP287A-XXX-XXX



AC to DC

120 / 208 / 240 Vac to 12 / 24 / 48 Vdc

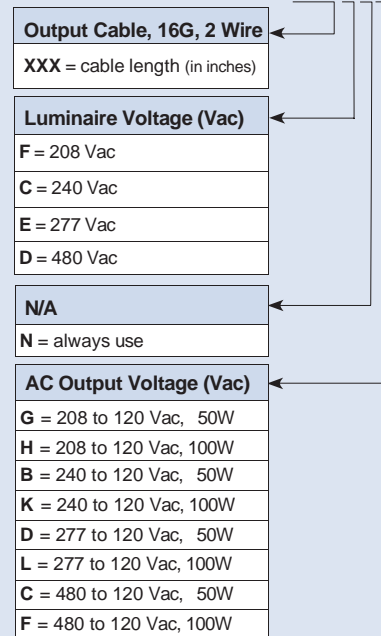
FP288A-XXX-XXX



AC to AC

Step Down to 120 Vac

FP289A-XXX-XXX



Note: To upgrade any OWL from 3-pin to 7-pin, add '-A' to end of part number

Other cable and connector options are available. Please consult factory for details.

The information in this document is provided for informational use only and is subject to change without notice.

© 2023 by Sunrise Technologies, Inc. All rights reserved.