

Streetlight Power Tap Adapter

The Series FP283A Power Tap Adapter works with any luminaire that utilizes a photocontrol and locking type receptacle. The Series FP283A installs between the photocontrol or shorting cap and the receptacle providing constant AC power and is typically used on 120 - 240 VAC luminaires.

Specifications

| | |
|-------------------------|---|
| Voltage/Current: | Receptacle input voltage equals cable output voltage |
| Current: | 10 Amps AC continuous |
| Housing: | UV stabilized impact resistant polypropylene |
| Cable Type: | Standard Cable: 2 Conductor SEOOW 16 AWG Ground Lug Option: 3 Conductor SEOOW 16 AWG |
| Base: | High temperature ABS |
| Blades: | Solid brass, three prong, locking type |
| Gasket: | Cross linked polyethylene |
| Packaging: | Individual units are sealed in water resistant plastic |

Feature/Benefits

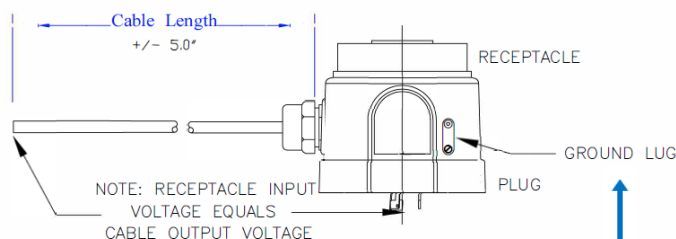
- Constant AC power
- Eliminates special wiring
- No electrician required - Simple twistlock installation
- Does not interfere with normal Photocontrol operation
- 7-Pin allows pass thru communication
- Output voltage is same as input luminaire voltage



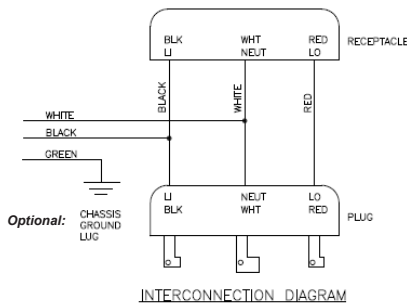
FP283A-1 with 3-Pin configuration



FP283A-7 with 7-pin configuration



Optional Ground Lug Wiring



NOTE: When ordering the Ground Lug option, the customer is responsible for running an external ground wire to the Ground Lug on the side of the Power Tap. This will ensure a proper ground to the output cable.

Ordering Information

FP283A - X - XXX - NNN - GR*

| Receptacle and Base Configuration |
|-----------------------------------|
| 1 = 3-Pin Configuration |
| 7 = 7-Pin Configuration |

| Cable Length (inches) |
|------------------------------------|
| XXX = Output Cable length (inches) |

| Standard Cable Output |
|-----------------------------|
| NNN = Output Cable Pig Tail |

| Optional Grounding |
|--------------------|
| GR = Grounding Lug |

* Note:
- Leave blank for no Grounding Lug
- Standard Cable: 2 Conductor, 16 AWG
- Ground Lug Option: 3 Conductor, 16 AWG

NOTE: The voltage of the output cable will equal the luminaire voltage where the power tap is used.