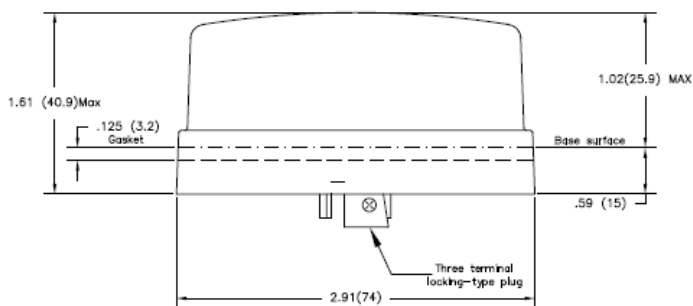
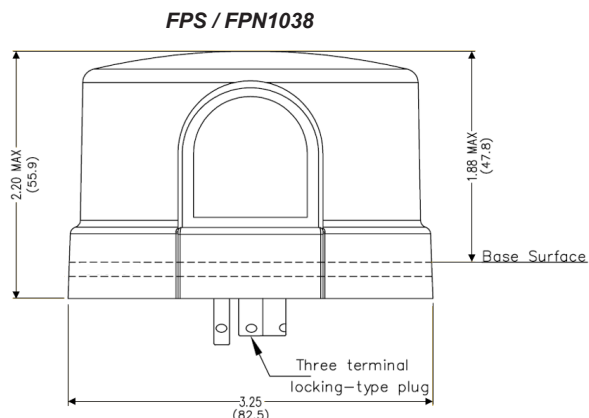




**S1039**



**FPN1038-1**



**Specifications (S1039)**

<b>Temperature Range:</b>	- 40° to + 70°C - 40° to + 158°F
<b>Housing:</b>	UV-resistant high-impact polypropylene
<b>Dimensions:</b>	2.91" Dia.; 1.61" H

**Shorting Caps**

Locking-type caps that have the physical appearance of photo-electric controls and meet ANSI C136.10 mounting specifications for roadway lighting equipment but provide a normally closed contact (fixture always ON). All caps are rated for a maximum of 15 Amps FLA.

**Application**

Shorting caps are used on industrial, commercial, street and highway luminaires equipped with locking-type receptacles. Shorting caps save wiring time by providing a constant ON. Several luminaires wired to the same line breaker may be controlled from a central point using a contactor or relay, as well as weatherproof protection for the socket.

Normally-Open caps (fixture always OFF) for temporary disabling of a lighting fixture are also available.

**Specifications (FPS / FPN1038)**

<b>Temperature Range:</b>	- 40° to + 70°C - 40° to + 158°F
<b>Housing:</b>	UV-resistant high-impact polypropylene
<b>Dimensions:</b>	3.25" Dia.; 2.20" H

**Ordering Information**

Model	Line Voltage	Contacts	Description
FPN1038-1	Up to 530V	N.C.	Shorting cap
FPN1038-3	Up to 530V	N.O.	Open Cap
FPS1038-1-MOV	Up to 530V	N.O.	Shorting Cap with MOV
S1039	Up to 480V	N.C.	Low Profile Shorting Cap

The information in this document is provided for informational use only and is subject to change without notice.

© 2023 by Sunrise Technologies, Inc. All rights reserved.